

# T8 LED Batten

50K HOURS



Now available in 4000k

## Replacing traditional 36W fluorescent tubes

15 watt T8 LED tube, direct replacement for the energy consuming T8 36W fluorescent tubes. Consumes only 15 watts of power, with zero radiation, highly suitable for spaces that require a uniform, high definition light source. Ideal for the home, office, industrial, clear span retail and internal public areas.

## Features & Benefits

- Epistar SMD light source
- Single end wired with starter socket & rotatable pins
- Superior colour rendering; near daylight, index = 80
- Unique optical design for uniform light rays
- Provides energy and power costs savings
- Available in clear and frosted

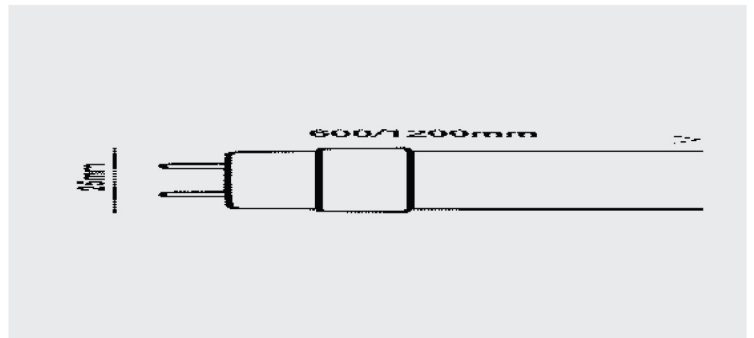
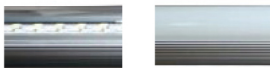
## LED Light Specifications

Model	Watt	Length	Angle	Colour	Lens
LEDBAT600S10W	10	600mm	120°	Cool - 5000K	Clear /frosted
LEDBAT600D20W	20	600mm	120°	Cool - 5000K	Clear /frosted
LEDBAT1200S15W	15	1200mm	120°	Cool - 5000K	Clear /frosted
LEDBAT1200D30W	30	1200mm	120°	Cool - 5000K	Clear /frosted

Socket Options:



Lens Options:



LED	SMD	Power Factor	0.9
Lumina	1350 -1550	Dimension	1200(L)mm & 600(L)mm
CRI	>80	Volts	240V AC

1300 782 217  
www.energis.com.au